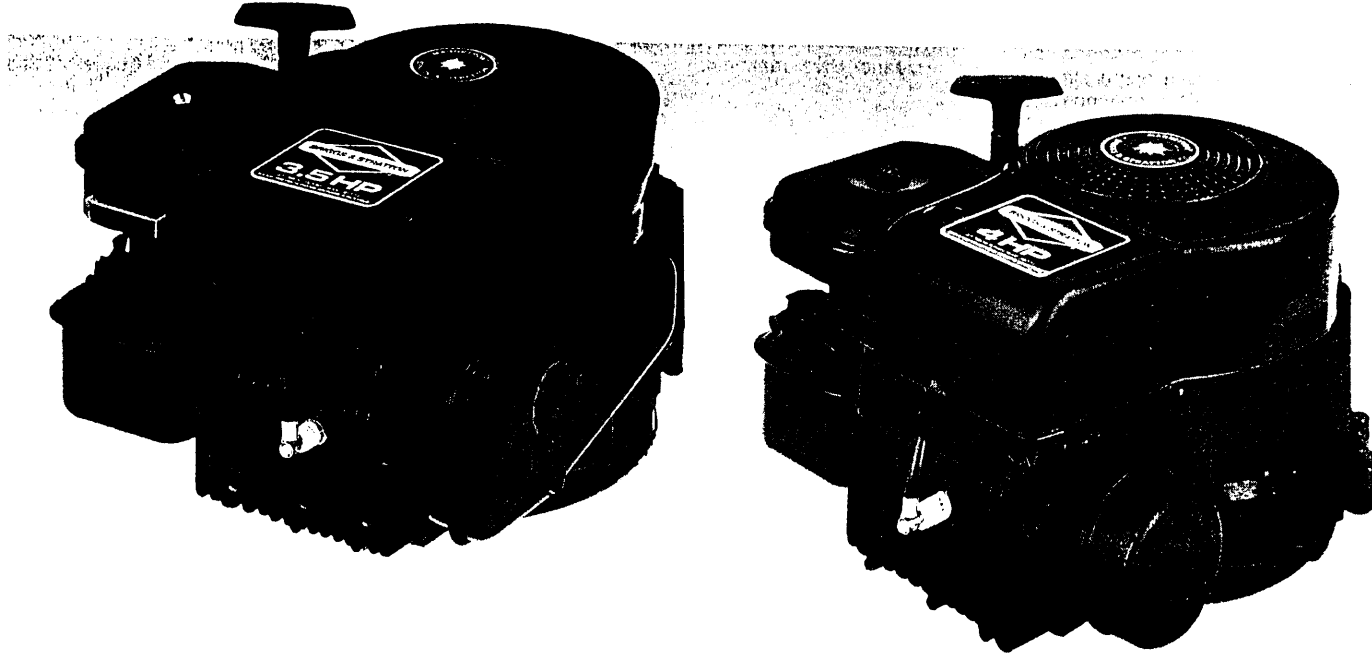




*Operating and Maintenance Instructions for
Model Series 92500, 94500, 92900, 94900 (3.5 HP)
110900, 113900, 114900 (4.0 HP)*



Briggs & Stratton Corporation
Milwaukee, Wisconsin 53201

© Copyright 1989 by Briggs & Stratton Corporation

FORM NO. 270361-11/89
PRINTED IN U.S.A.

IMPORTANT SAFETY INFORMATION AND INSTRUCTIONS FOR ENGINE SELECTION ENGINE INSTALLATION ENGINE OPERATION

In the USA and Canada,
our 24 hour hotline is:

18002333723

Briggs & Stratton Corporation
Milwaukee, Wisconsin 53201

www.briggsandstratton.com

Keep these instructions for future reference.




Before installing and operating this engine read and observe all warnings, cautions and instructions on both sides of this sheet, on the engine, and in the operating & maintenance instructions.

NOTE: This sheet of instructions and safety information is not meant to cover all possible conditions and situations that may occur. Read entire Operating & Maintenance Instructions for this engine AND the instructions for the equipment this engine powers. Failure to follow instructions and safety information could result in serious injury or death.

The safety alert symbol () is used to identify safety information about hazards that can result in personal injury.

A signal word (DANGER, WARNING, or CAUTION) is used with the alert symbol to indicate the likelihood and the potential severity of injury. In addition, a hazard symbol may be used to represent the type of hazard.

 **DANGER** indicates a hazard which, if not avoided, will result in death or serious injury.

 **WARNING** indicates a hazard which, if not avoided, could result in death or serious injury.

 **CAUTION** indicates a hazard which, if not avoided, might result in minor or moderate injury.

CAUTION, when used **without** the alert symbol, indicates a situation that **could result in damage to the engine.**

HAZARD SYMBOLS AND MEANINGS



Fire



Explosion



Moving Parts



Toxic Fumes



Hot Surface



Shock



Kickback

(OVER)

FORM MS-6445-01/03

ENGINE SELECTION

 WARNING

Failure to select the correct engine could result in fire or explosion.

- Some engines are unique and designed for specific applications or types of equipment. If this engine will be used to build new equipment, contact Briggs & Stratton to ensure that the engine is appropriate for the intended use.
Note: For all Go-karts use only a model 136200 series engine, which offers improved safety and performance.
- Replacement engines should be the same model as the original engine, or be the Briggs & Stratton designated replacement engine. Refer to the Operation & Maintenance Instructions for engine identification information.
Note: For all Go-karts use only a model 136200 series engine, which offers improved safety and performance.
- Do not use Briggs & Stratton engines on 3-wheel All-Terrain Vehicles (ATVs), motor bikes, air craft products, or vehicles intended for use in competitive events. Briggs & Stratton does not approve of or authorize such uses.

ENGINE INSTALLATION

- [1] Do not attempt to install this engine if you do not have the appropriate tools and knowledge of small engine installation procedures. Use only Briggs & Stratton parts. Contact your Authorized Service Dealer for assistance.
- [2] Do not modify the engine in any way without Briggs & Stratton factory approval. Any such modification is at the owner's sole risk.
- [3] If the exhaust system on the old engine was supplied by the equipment manufacturer, you must transfer the exhaust system and related components (original muffler and related pipes, brackets, clamps, and shields) to the new engine. All components must be in good condition.
- [4]

 WARNING	Install muffler (and muffler deflector if used) so outlet points away from operator, fuel tank, and equipment, and so muffler heat will not damage or deform engine and components.
	
- [5]

 WARNING	Ensure all fuel lines and fittings are properly assembled and do not leak. Replacement parts must be the same model as the original.
	
- [6]

 WARNING	Ensure all wiring, including safety switches and engine shut-off components are completely installed and functioning properly.
	
- [7] Set engine speed to equipment manufacturer's specification. Refer to equipment manufacturer's manual. Do not tamper with governor springs, or other parts that will increase engine speed above specification.

- [8]







 WARNING	All engine parts, including fuel cap, spark plug, muffler, air cleaner, and covers and guards for drive components (gears, belts, shafts, couplings, etc.) must be in place before attempting to start engine.
	
- [9]

 WARNING	If engine is installed on walk behind lawn mower, all mower components, including cutting blade, must be correctly installed before attempting to start engine.
	
- [10]

 WARNING	When working on the engine or equipment, remove spark plug wire from spark plug. For electric start, remove negative wire from battery.
	
- [11]

 WARNING	Do not check for spark with spark plug removed. Use Briggs & Stratton spark tester #19368.
	

ENGINE OPERATION

	 WARNING
When adding fuel:	
Turn engine off and let engine cool at least 2 minutes before removing gas cap. Fill fuel tank outdoors or in well-ventilated area. Fill tank to about 1 inch below lowest portion of neck to allow for fuel expansion. Keep gasoline away from sparks, open flames, pilot lights, heat, and other ignition sources.	
	 WARNING
When starting engine:	
Remove all external equipment/engine loads. Wait until spilled fuel is evaporated. Start engine outdoors. Pull cord slowly until resistance is felt, then pull rapidly. If engine floods, set choke to OPEN/RUN, place throttle in FAST and crank until engine starts.	
	 WARNING
When operating equipment:	
Do not tip engine or equipment at angle which causes gasoline to spill. Run engine outdoors. Do not run in enclosed area, even if doors or windows are open. Do not choke carburetor to stop engine.	

In The Interest Of Safety



THIS SYMBOL MEANS **WARNING OR CAUTION**. PERSONAL INJURY AND/OR PROPERTY DAMAGE MAY OCCUR UNLESS INSTRUCTIONS ARE FOLLOWED CAREFULLY.



WARNING

1. DO NOT run engine in an enclosed area. Exhaust gases contain carbon monoxide, an odorless and deadly poison.
2. DO NOT check for spark with spark plug or spark plug wire removed. Use an approved tester.
3. DO NOT crank engine with spark plug removed. If engine is flooded, place throttle in "FAST" position and crank until engine starts.
4. DO NOT smoke when filling fuel tank.
5. DO NOT fill fuel tank while engine is running. Allow engine to cool for two minutes before refueling.
6. DO NOT operate engine when an odor of gasoline is present or other explosive conditions exist.
7. DO NOT operate engine if gasoline is spilled. Move machine away from the spill and avoid creating any ignition until the gasoline has evaporated.
8. DO NOT STORE, SPILL, OR USE GASOLINE NEAR AN OPEN FLAME, or devices such as a stove, furnace, or water heater which utilize a pilot light or devices which can create a spark.
9. DO NOT refuel indoors where area is not well ventilated. Outdoor refueling is preferred.

10. DO NOT OPERATE ENGINE WITHOUT A MUFFLER. Inspect periodically and replace if necessary.
11. DO NOT operate engine with an accumulation of grass, leaves, dirt or other combustible material in the muffler area.
12. DO NOT use this engine on any forest covered, brush covered, or grass covered unimproved land unless a spark arrester is installed on the muffler.
13. DO NOT run engine with air cleaner or air cleaner cover removed.



CAUTION

1. DO NOT RUN ENGINE AT EXCESSIVE SPEEDS, AS THIS MAY RESULT IN INJURY.
2. DO NOT tamper with governor springs, governor links or other parts which may increase the governed engine speed.
3. DO NOT tamper with the engine speed selected by the original equipment manufacturer.
4. DO NOT touch hot muffler, cylinder, or fins as contact may cause burns.
5. DO NOT place hands or feet near moving or rotating parts.
6. DO keep cylinder fins and governor parts free of grass and other debris as this can affect engine speed.
7. DO pull starter cord slowly until resistance is felt. Then pull cord rapidly to avoid kickback and prevent hand or arm injury.

8. TO PREVENT ACCIDENTAL STARTING when servicing the engine or equipment, always remove the spark plug or wire from the spark plug. Disconnect negative wire from battery terminal if equipped with a 12 volt starting system.
9. DO use fresh gasoline. Stale fuel can cause leakage.

WHEN WORKING ON EQUIPMENT

DO NOT STRIKE FLYWHEEL with a hard object or metal tool as this may cause flywheel to shatter in operation, causing personal injury or property damage. To remove flywheel, use Briggs & Stratton approved tools only.

The use of Briggs & Stratton parts preserves the original design of your engine. Imitation replacement parts offer potential risk including the risk of personal injury.

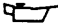
IN THE INTEREST OF ENVIRONMENT

A muffler which leaks because of rust or damage can permit an increased exhaust noise level. Therefore, examine the muffler periodically to be sure it is functioning effectively. To purchase a new muffler, contact any Briggs & Stratton Authorized Service Center for correct replacement.

CAUTION: A SPARK ARRESTER MUST BE ADDED to the muffler of this engine if it is to be used on any forest covered, brush covered, or grass covered unimproved land. The arrester must be maintained in effective working order by the operator. In the State of California the above is required by law (Section 4442 of the California Public Resources Code). Other states may have similar laws. Federal laws apply on federal lands. See your Briggs & Stratton Authorized Service Center or equipment dealer for spark arrester muffler options.

Before Starting

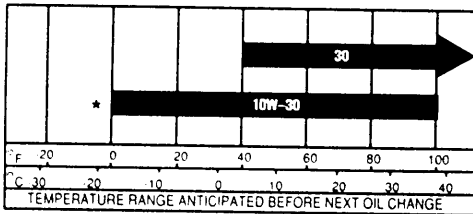
READ THE OPERATING INSTRUCTIONS OF THE EQUIPMENT THIS ENGINE POWERS.

 **NOTE:** Engine is shipped **WITHOUT** oil.

OIL RECOMMENDATIONS

We recommend the use of a high quality detergent oil classified "For Service SC, SD, SE, SF, SG," such as Briggs & Stratton high quality detergent oil 10W-30 (Part No. 272001) or 30 weight (Part No. 100005). Detergent oils keep the engine cleaner and retard formation of gum and varnish deposits. No special additives should be used with recommended oils.

RECOMMENDED SAE VISCOSITY GRADES



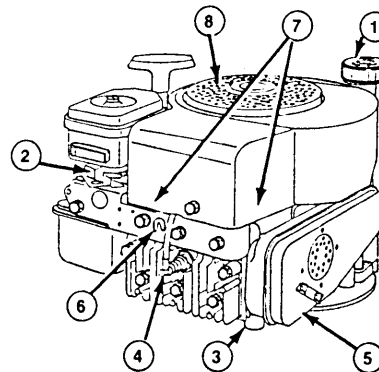
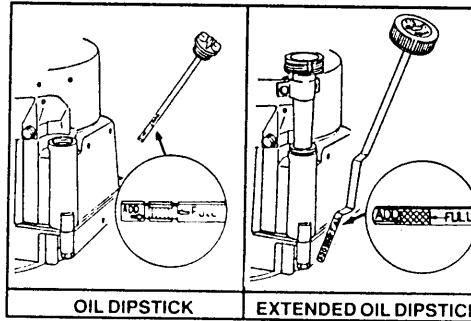
* 10W-40 oil may be used if 10W-30 is not available.

TO FILL CRANKCASE WITH OIL:

Capacity is approximately 1.25 pints (0.6 liters). Place engine level. Clean area around oil fill. Remove dipstick. **POUR OIL SLOWLY.** (Fill to **FULL** mark on dipstick). **DO NOT OVER-FILL.** Replace dipstick.

TO CHECK OIL LEVEL:

Place engine level. Remove and wipe oil from dipstick with clean cloth. Screw dipstick firmly into place. Remove to check oil level. Dipstick must be firmly assembled into adapter when engine is running.



1. Oil Fill/Drain
2. Carburetor
3. Crankshaft
4. Spark Plug
5. Muffler

6. Holding Tab for Spark Plug Wire
7. Model, Type and Code Numbers
8. Rotating Screen



FUEL RECOMMENDATIONS

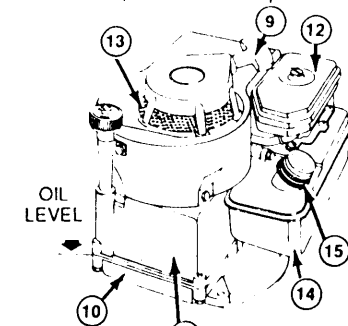
This engine will operate satisfactorily on any gasoline intended for automotive use. A minimum of 77 octane is recommended. **DO NOT MIX OIL WITH GASOLINE.**

Use clean, fresh, **lead-free** gasoline. We recommend the use of Briggs & Stratton Gasoline Additive, part no. 5041. Purchase fuel in quantity that can be used within 30 days. This will assure fuel freshness and volatility tailored to the season. Leaded gasoline may be used if lead-free is not available. Use of lead-free gasoline results in fewer combustion deposits and longer valve life.

NOTE: We **DO NOT** recommend the use of gasoline which contains alcohol, such as gasohol. However, if gasoline with alcohol is used, it **MUST NOT** contain more than 10 percent Ethanol and **MUST** be removed from the engine during storage. **DO NOT** use gasoline containing Methanol. See **STORAGE INSTRUCTIONS.**



DO NOT FILL fuel tank to point of overflowing. Allow approximately 1/4 in. (5mm) of tank space for fuel expansion.



9. Rewind Start Grip
10. Oil Sump
11. Cylinder

12. Air Cleaner
13. Rotating Screen
14. Fuel Tank
15. Fuel Fill

Starting & Stopping

TIPS TO OBTAIN BEST STARTING PERFORMANCE

1. Start, store and fuel engine in a level position.
2. Start engine with mower on sidewalk or driveway where the cutting blades are out of the grass in an unloaded condition.
If starts must be made on the lawn, move mower over previously cut grass.



CAUTION: TO PREVENT ACCIDENTAL STARTING when servicing the engine or equipment, always remove the spark plug or wire from the spark plug and insert in holding tab.

3. Keep underside of the mower deck clean. Periodically remove any built-up grass which might add resistance to the cutter blade.
4. **DO NOT** use a pressurized starting fluid. Severe engine damage may occur because of loss of lubrication.
5. De-clutch all possible external loads.
6. A slightly richer fuel mixture will usually improve cold starting (below 40° F). Turn idle mixture valve 1/8 turn counterclockwise.

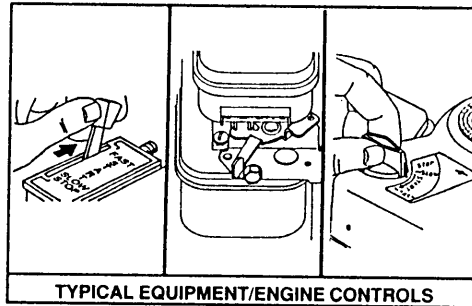
TO START ENGINE:



WARNING: ALWAYS KEEP HANDS AND FEET CLEAR OF MOWER BLADE OR OTHER ROTATING MACHINERY.



NOTE: This engine features a unique Automatic Choke. In case of flooding, move control to "STOP" position and pull starter six times. Then move control to "FAST" position and start engine. If engine continues to flood, turn carburetor needle valve 1/8 turn clockwise to obtain a leaner mixture (see ADJUSTMENTS).



TYPICAL EQUIPMENT/ENGINE CONTROLS

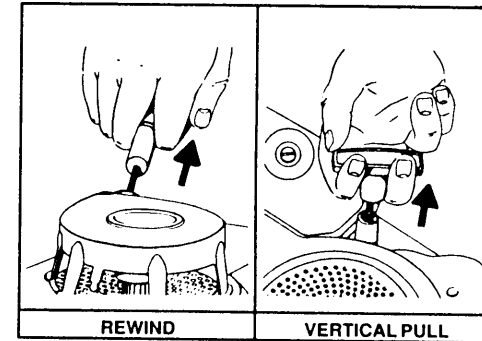
EQUIPMENT/ENGINE CONTROLS

Move equipment control lever to "FAST" or "RUN" position.

REWIND/VERTICAL PULL STARTER



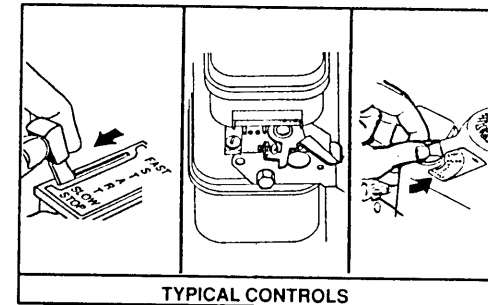
Grasp starter grip as illustrated and pull slowly until resistance is felt. Then pull cord rapidly to overcome compression, prevent kickback and start engine. Repeat if necessary.



TO STOP ENGINE:



Move engine or equipment control to "SLOW," then "STOP" position. Do not choke carburetor to stop engine. Fire may result if choke is used to stop engine.



TYPICAL CONTROLS

Adjustments

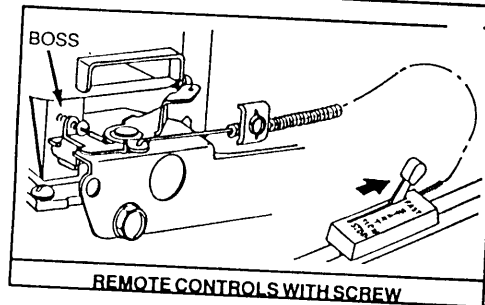
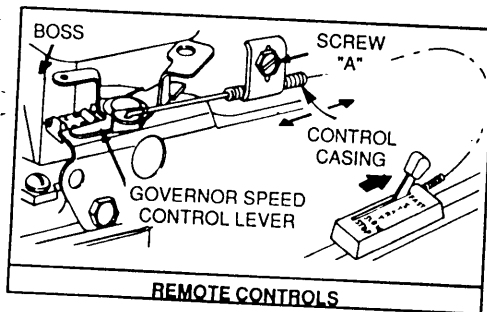
ENGINE AND EQUIPMENT CONTROLS

CAUTION: The manufacturer of the equipment on which the engine is installed specifies the Top No-Load RPM at which the engine will be operated. DO NOT EXCEED this RPM.

Correct control adjustment is necessary for good engine performance.

TO CHECK OPERATION OF CONTROLS:

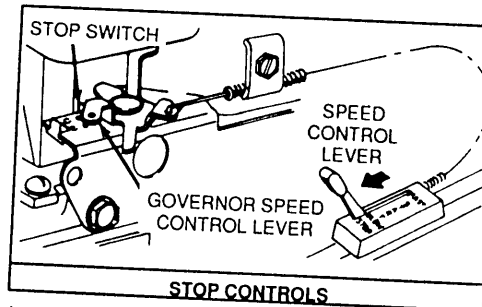
Move equipment control lever to "FAST" position. Governor control lever or screw in lever should just touch boss as shown in figures below. If it does not, follow adjustment instructions.



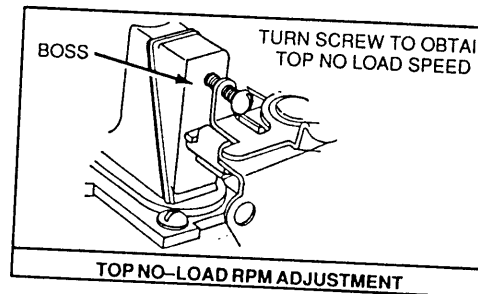
TO ADJUST CONTROLS:

With equipment control lever in "FAST" position, loosen casing clamp screw "A" slightly and move governor control lever to right or left until governor control lever or screw in lever just touches boss at "B." Tighten casing clamp screw "A."

Check operation of controls. Governor control lever must make good contact with stop switch, if so equipped, as shown below. Replace air cleaner.



In some cases Top No-Load RPM may have to be adjusted. With equipment control in "FAST" position and using an accurate tachometer, turn screw as shown below to obtain Top No-Load RPM specified by equipment manufacturer. DO NOT EXCEED this RPM.



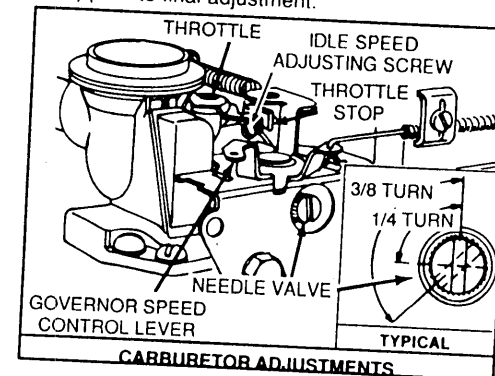
CARBURETOR ADJUSTMENTS

Minor carburetor adjustment may be required to compensate for differences in fuel, temperature, altitude or load. Air cleaner and air cleaner cover must be assembled to carburetor when running engine. The best carburetor adjustment is obtained with fuel tank approximately 1/4 full.

INITIAL ADJUSTMENT:

Gently turn needle valve clockwise until it just closes. Turning valve in too far may damage it.

Next open needle valve 1-1/2 turns counterclockwise. This initial adjustment will permit the engine to be started and warmed up (approximately 5 minutes) prior to final adjustment.



FINAL ADJUSTMENT

Place engine or equipment control lever in "FAST" position. Turn needle valve in (clockwise - lean mixture) until engine starts to slow. Now turn needle valve 3/8 turn counterclockwise (see inset above). Next, adjust idle RPM. Rotate throttle counterclockwise and hold against throttle stop while turning idle speed adjusting screw to obtain 1750 RPM. Release throttle. Engine should accelerate smoothly. If it does not, readjust carburetor, usually to a slightly richer mixture (turn needle valve 1/8 turn counterclockwise).

Maintenance



CAUTION: TO PREVENT ACCIDENTAL STARTING when servicing the engine or equipment, always remove the spark plug or wire from the spark plug and insert in holding tab.

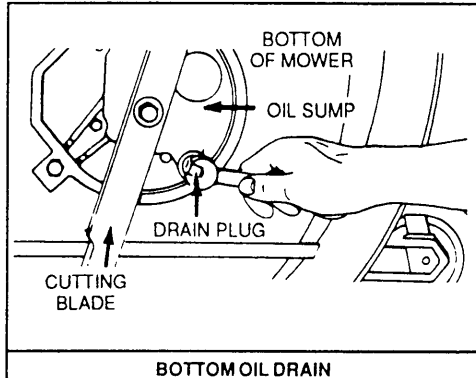


CHECK OIL LEVEL REGULARLY:

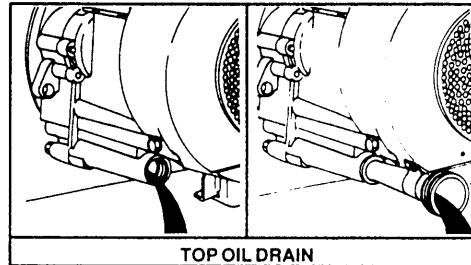
Check after each 8 hours of operation or daily. **BE SURE OIL LEVEL IS MAINTAINED.**

CHANGE OIL AS RECOMMENDED:

Change oil after first 5 hours of operation. Then, under normal operating conditions, change oil after every 50 hours of operation or every season, whichever occurs first. Change oil after every 25 hours of operation if the engine is operated under heavy load, or in high ambient temperatures. Oil may be drained from bottom or top of engine as shown. Change oil while engine is warm. Refill with new oil of correct grade. Replace dipstick.



BOTTOM OIL DRAIN



TOP OIL DRAIN



CAUTION: When tipping engine or equipment to drain oil, keep engine spark plug or muffler side up.



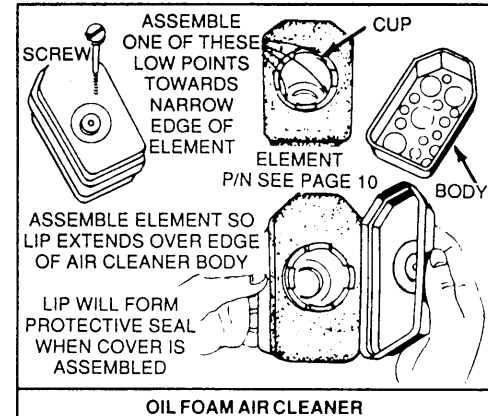
SERVICE AIR CLEANER

OIL FOAM OR DUCTED OIL FOAM AIR CLEANER:

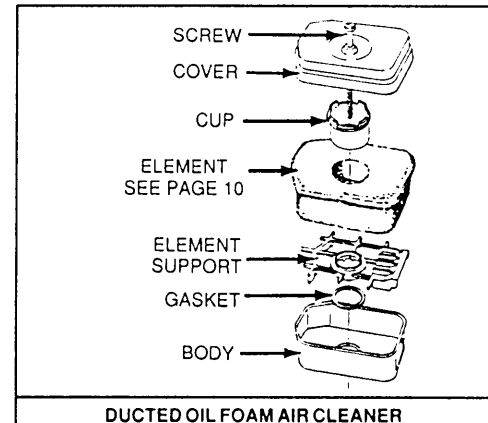
Clean and re-oil foam element every 25 hours or every season, whichever occurs first.

NOTE: Service more often under dusty conditions.

1. Remove screw.
2. Carefully remove air cleaner to prevent dirt from falling into carburetor.
3. Take air cleaner apart and clean all parts.
 - a. Wash foam in liquid detergent and water.
 - b. Squeeze dry in a clean cloth.
 - c. Saturate foam in engine oil. Squeeze in clean cloth to remove ALL excess oil.
4. Reassemble parts and fasten securely to carburetor with screw.



OIL FOAM AIR CLEANER



DUCTED OIL FOAM AIR CLEANER

Maintenance

DUAL ELEMENT AIR CLEANER (OPTION):

Service pre-cleaner, if so equipped, every 25 hours or every season, whichever occurs first.

Service cartridge every 100 hours or every season, whichever occurs first, if equipped with pre-cleaner.

Service cartridge every 25 hours or every season, whichever occurs first, if NOT equipped with pre-cleaner.

NOTE: Service more often under dusty conditions.

1. Remove knob and cover.
2. Carefully remove foam pre-cleaner, when so equipped, by sliding it off cartridge.

To service pre-cleaner:

- a. Wash in liquid detergent and water.
- b. Squeeze dry in a clean cloth.
- c. Saturate in engine oil. Squeeze in clean, absorbent cloth to remove ALL excess oil.

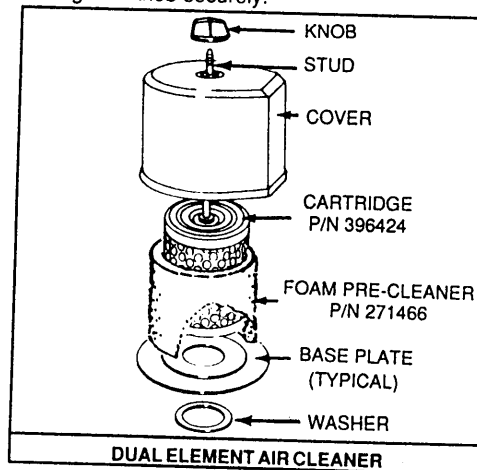
To service cartridge:

- a. Remove carefully and clean by tapping gently on a flat surface.
- b. If very dirty, replace or wash in a non-sudsing detergent and warm water solution. Rinse thoroughly with flowing water from mesh side until water is clear. Allow cartridge to stand and air dry thoroughly before using.



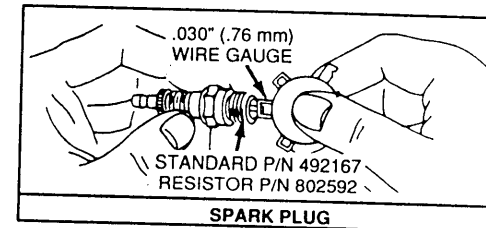
CAUTION: Petroleum solvents, such as kerosene, are not to be used to clean cartridge. They may cause deterioration of the cartridge. **DO NOT OIL CARTRIDGE. DO NOT USE PRESSURIZED AIR TO CLEAN OR DRY CARTRIDGE.**

3. Reinstall cartridge, pre-cleaner and cover and tighten knob securely.



REPLACE OR CLEAN SPARK PLUG:

Replace or clean after every 100 hours of operation or every season, whichever occurs first.



NOTE: Do not blast clean spark plug. Spark plug should be cleaned by scraping or wire brushing and washing with a commercial solvent.



CAUTION: Sparking can occur if wire terminal does not fit firmly on spark plug. Re-form terminal if necessary.

Maintenance

CLEAN ENGINE:

Remove dirt and debris with a cloth or brush. Cleaning with a forceful spray of water is not recommended as water could contaminate the fuel system.



CAUTION: To assure smooth operation, keep governor linkage, springs and controls free of debris.

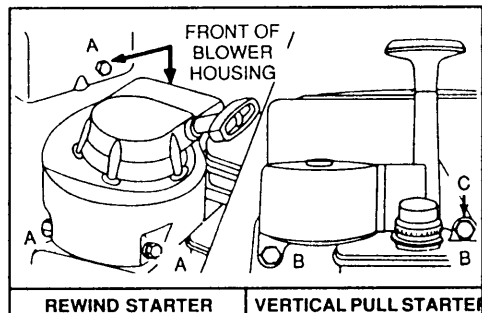


CAUTION: Periodically clean muffler area to remove all grass, dirt and combustible debris.

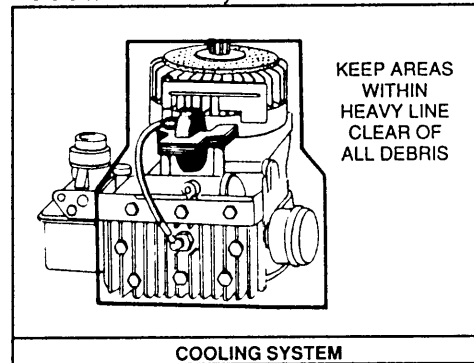
CLEAN COOLING SYSTEM:

NOTE: To remove blower housing:

1. If engine is equipped with Rewind Starter, remove 3 screws labeled "A." Lift to remove blower housing.
2. If engine is equipped with Vertical Pull Starter, first remove 2 screws labeled "B." Remove 3 screws labeled "A." Lift to remove blower housing. (Note position of spacer between starter and cylinder at "C.")



Grass, chaff or dirt may clog the rotating screen and the air cooling system, especially after prolonged service cutting dry grasses. After every 100 hours or every season, whichever occurs first, clean internal cooling fins and surfaces as shown to prevent over-speeding, overheating and engine damage. Clean more often if necessary.



CLEAN SPARK ARRESTER SCREEN:

If engine muffler is equipped with spark arrester screen assembly, remove every 50 hours or every season, whichever occurs first, for cleaning and inspection. Replace if damaged. Contact any Briggs & Stratton Authorized Service Center.

REMOVE COMBUSTION DEPOSITS:

Remove cylinder head every 100-300 hours of operation. Scrape and wire brush the combustion deposits from cylinder, cylinder head, top of piston and around valves. Reassemble gasket and cylinder head. Turn screws down finger tight with three longer screws around exhaust valve, if so equipped. Torque cylinder head screws in a staggered sequence to 140 in.-lbs. (15.8Nm)

Maintenance Schedule

Follow the hourly or calendar intervals, whichever occur first. More frequent service may be required.

MAINTENANCE OPERATION	Every 8 Hours or Daily	25 Hours or Every Season	50 Hours or Every Season	100 Hours or Every Season	100-300 Hours
Check Oil Level	●				
Change Oil ♦			● Note 1		
Service Foam Air Cleaner or Air Cleaner Pre-Cleaner		● Note 2			
Service Air Cleaner Cartridge (No Pre-cleaner)		● Note 2			
Service Air Cleaner Cartridge (Pre-cleaner Present)				● Note 2	
Clean Cooling System				● Note 2	
Inspect Spark Arrester (Optional Accessory)			●		
Replace or Clean Spark Plug				●	
Clean Combustion Chamber Deposits					●

♦ Change oil after first 5 hours, then after every 50 hours or every season.

Note 1: Change oil every 25 hours when operating under heavy load or in high ambient temperatures.

Note 2: Clean more often under dusty conditions or when airborne debris is present.

BRIGGS & STRATTON AUTHORIZED SERVICE CENTERS ARE READY TO SERVE YOU AND ARE COMMITTED TO QUALITY SERVICE.

International Symbols



..... Air Cleaner



..... Caution



..... Choke



..... Fast



..... Fuel



..... Oil



..... Slow

General Information

This is a single cylinder, L-head, air-cooled engine. On mobile equipment, the engine will operate satisfactorily at any angle at which operator and equipment can function safely.

MODEL SERIES 92500 & 94500

Bore 2-9/16 in. (65.09 mm)
Stroke 1-3/4 in. (44.45 mm)
Displacement 9.02 cu. in. (147.8 cc)

* Horsepower
Torque (Max.) 4.77 Ft.-Lbs. @ 2900 RPM

MODEL SERIES 92900 & 94900

Bore 2-9/16 in. (65.09 mm)
Stroke 1-3/4 in. (44.45 mm)
Displacement 9.02 cu. in. (147.8 cc)

Horsepower 3.5 HP @ 3600 RPM
Torque (Max.) 5.26 Ft.-Lbs. @ 3100 RPM

MODEL SERIES 110900, 113900 & 114900

Bore 2-25/32 in. (70.65 mm)
Stroke 1-7/8 in. (47.63 mm)
Displacement 11.39 cu. in. (186.7 cc)

Horsepower 4.0 HP @ 3600 RPM
Torque (Max.) 6.12 Ft.-Lbs. @ 2600 RPM

The horsepower ratings listed are established in accordance with Society of Automotive Engineers Test Code J607. For practical operation, the horsepower loading should not exceed 85% of this rating. Engine power will decrease 3-1/2% for each 1,000 feet (305 m) above sea level and 1% for each 10° F above 60° F (16° C).

* Model Series 92000 engines are rated at 3.5 hp at the customary 3600 RPM speed. However, for safety reasons, engines on rotary lawn mowers are governed to a lower speed. To improve startability and performance at this lower speed, on Model Series 92500 and 94500, we have made changes that do not allow the engine to produce 3.5 hp at 3600 RPM. We have done so in the belief that it is more important to have better performance at the speed at which you operate your engine than at the 3600 RPM rating speed.

TUNE-UP SPECIFICATIONS

DESCRIPTION	B & S PART NO.
Oil Foam air cleaner (Model 90000)	270579
Oil Foam air cleaner (Model 110000)	270848
Air cleaner cartridge	396424
Air cleaner pre-cleaner	271466
Standard spark plug (Champion J19LM)	492167
Resistor spark plug (Champion RJ19LM)	802592

CLEARANCES	DIMENSION
Spark Plug Gap030 in. (.76 mm)
Intake Valve*004-.006 in. (.10-.15 mm)
Exhaust Valve*007-.009 in. (.18-.23 mm)

* with valve springs installed.
In some areas, local law requires use of a resistor spark plug to suppress ignition signals. If this engine was originally equipped with resistor spark plug, use the same type of spark plug for replacement.

STORAGE INSTRUCTIONS

Engines to be stored over 30 days need to be protected or drained of fuel to prevent gum from forming in the fuel system or on essential carburetor parts.

1. For engine protection, we recommend use of Briggs & Stratton Gasoline Additive, Part No. 5041, available from any Authorized Briggs & Stratton Service Center. Mix Additive with fuel in fuel tank or storage container. Run engine for a short time to circulate Additive through carburetor. Engine and fuel can be stored up to 24 months.



CAUTION: If Additive is not used or if engine is operating on gasoline containing alcohol, remove all fuel from tank and run engine until it stops from lack of fuel.

2. While engine is still warm, drain oil from crankcase. Refill with fresh oil of correct grade.
3. Remove spark plug and pour approximately 1/2 oz. (15 ml) of engine oil into cylinder. Replace spark plug and crank slowly to distribute oil.
4. Clean dirt and chaff from cylinder, cylinder head fins, blower housing, rotating screen and muffler areas.

SERVICE & REPAIR INFORMATION

If service or repair is needed, contact a Briggs & Stratton Authorized Service Center. To serve you promptly & efficiently, the Service Center will need the model, type & code numbers on your engine.



Your nearest service center is listed in the "Yellow Pages" under "Engines, Gasoline" or "Gasoline Engines." There are over 25,000 authorized dealers available to serve you.

Each Authorized Service Center carries a stock of Original Briggs & Stratton Service Replacement Parts and is equipped with special service tools. Ask for Original Briggs & Stratton Service Replacement Parts. The use of Genuine Parts preserves the original design of your Briggs & Stratton engine. Imitation replacement parts offer potential risks, not just obvious differences such as, fit, finish and warranty back-up, but hidden differences in internal construction as well. Trained mechanics assure expert repair service on all Briggs & Stratton engines.

Major engine repairs require proper tools and a thorough knowledge of internal combustion engine repair procedure.

Briggs & Stratton publishes illustrated shop manuals, parts lists and owner's manuals for every engine it manufactures. To receive a list of available publications, write to Briggs & Stratton Corporation, P. O. Box 1144, Milwaukee, WI 53201, Attn: Service Division.

The shop manual shown here includes "Theories of Operation," common specifications and detailed information covering the adjustment, tune-up and repair of Briggs & Stratton L-head, single cylinder, 4 cycle engines and is available from any Briggs & Stratton Authorized service Center. You can also order directly from the factory for \$8.95 (includes postage and handling to U.S. destinations;



Part No. 270962

price subject to change). Send check to the above address and request manual, Part No. 270962.

ABOUT THE WARRANTY ON YOUR ENGINE

NOTE: See Back Cover for Statement of Limited Warranty.

If warranty service is needed, contact your nearest Authorized Briggs & Stratton Service Center. For prompt attention, your Center will need to know the engine model, type and code numbers, the trouble experienced and the total number of hours the engine was run.

BRIGGS & STRATTON WARRANTY covers only DEFECTIVE MATERIAL and/or WORKMANSHIP.

Briggs & Stratton Corporation welcomes the opportunity to make justified warranty repairs by any of its Authorized Service Centers. In most instances, the requests for warranty repair are handled in a quick and routine manner. However, some requests for warranty are received which appear not justified. In these cases, though engine owners may not be aware of it, the premature failure of their engine was caused by abuse or neglect, or the equipment on which it was mounted, rather than the engine.

If you differ with the decision of your Service Center, investigation will be made to determine the applicability of warranty. Ask the Service Center to submit all supporting facts to the Factory for review. If the Factory decides that your claim is justified, you will be fully reimbursed for those items accepted as defective. To avoid misunderstanding which might occur between engine owners and Authorized Briggs & Stratton Service Centers, we list below some of the causes of engine failure that Briggs & Stratton warranty does not cover for repair or replacement.

NORMAL WEAR: Engines, like all mechanical devices, need periodic parts service and replacement to perform well. Warranty will not cover repair when normal use has exhausted the life of a part or an engine.

IMPROPER MAINTENANCE: Remember that the service life of an engine depends upon the conditions under which it operates and the care it receives. Some applications, such as tillers, trash pumps and rotary mowers, are very often used in dusty or dirty conditions which can cause what appears to be premature wear. Such wear, when caused by dirt, dust, spark plug cleaning grit or other abrasive material that has entered the engine because of improper maintenance, is not covered by warranty.

WARRANTY DOES NOT APPLY FOR SOME ADJUSTMENTS OR IF ABUSE OR NEGLIGENCE CAUSES ENGINE DAMAGE: SUCH AS

1. Bent or broken crankshafts that could be caused by striking a solid object with the cutter blade of a rotary lawn mower;
2. Sticking valves or clogged carburetors, fuel pipes or other damage caused by using contaminated or stale fuel (Use clean, fresh, lead-free gasoline.);

3. Parts which are scored or broken because an engine was operated with insufficient or contaminated lubricating oil or an incorrect grade of lubricating oil. (4 cycle engines: check oil level daily or after every 8 hours of operation. Refill when necessary and change at recommended intervals.) (2 cycle engines: use correct mixture of gasoline and BIA/NMMA certified oil.);
4. Parts damaged by overspeeding or overheating caused by dirt, grass or debris plugging the cooling fins and clogging the flywheel area, or caused by operating the engine in a confined area without sufficient ventilation (Clean fins on the cylinder, cylinder head and flywheel at recommended intervals.);
5. Damage or wear to parts caused by dirt which entered the engine because of improper air cleaner maintenance or re-assembly (Clean and re-oil the foam pre-cleaner and clean or replace the paper cartridge at recommended intervals.);
6. Damage or wear to parts caused by grit which entered the engine from spark plugs cleaned on an abrasive blast cleaning machine;
7. Tune-up or adjustment needed by an engine but not caused by defective material nor workmanship (Follow the "Operating and Maintenance Instructions" when making any minor adjustments.);
8. Parts broken by excessive vibration caused by loose engine mounting, loose cutter blades, unbalanced blades or impellers, improperly attaching equipment to engine crankshaft, overspeeding or abuse in operation;
9. Repair or adjustment of associated parts or assemblies such as clutches, transmissions, remote controls, etc., which are not of Briggs & Stratton manufacture;
10. PARTS THAT ARE NOT ORIGINAL BRIGGS & STRATTON PARTS OR PARTS THAT ARE NOT APPROVED BY BRIGGS & STRATTON.

Warranty is available only through service centers which have been authorized by the Briggs & Stratton Corporation. Your nearest service center is listed in the Yellow Pages of your Telephone Directory, under "Engines, Gasoline" or "Gasoline Engines."

**Superseding Warranty
BRIGGS & STRATTON ENGINE WARRANTY POLICY
effective July 31, 1989
Replaces all undated previous Warranties and all Warranties
dated before July 31, 1989**

When warranty repair is justified, Briggs & Stratton Corporation welcomes such repair by any of its Authorized Service Centers.

In most instances, the requests for warranty brought to the attention of our Service Accounts are handled in a prompt routine manner with no question regarding their validity. However, some requests for warranty are received which appear not justified. In these cases, engine owners may not be aware that the premature failure of their engine was the result of abuse or neglect, or that the difficulty which they experience is caused by the equipment rather than the engine.

BRIGGS & STRATTON WARRANTY covers only DEFECTIVE MATERIAL and/or WORKMANSHIP.

LIMITED WARRANTY

"For time period shown below from date of purchase, Briggs & Stratton Corporation will replace for the original purchasers, free of charge, any part, or parts of the engine, found upon examination by any Factory Authorized Service Center, or by the Factory at Milwaukee, Wisconsin, to be defective in material or workmanship or both; this is the exclusive remedy. All transportation charges on parts submitted for replacement under this Warranty must be borne by purchaser. For warranty service contact your nearest Authorized Service Center as listed in the 'Yellow Pages' under 'Engines, Gasoline' or 'Gasoline Engines.' THERE IS NO OTHER EXPRESS WARRANTY. IMPLIED WARRANTIES, INCLUDING THOSE OF MERCHANTABILITY AND FITNESS FOR A PARTICULAR PURPOSE ARE LIMITED TO ONE YEAR FROM PURCHASE AND TO THE EXTENT PERMITTED BY LAW ANY AND ALL IMPLIED WARRANTIES ARE EXCLUDED. LIABILITY FOR CONSEQUENTIAL DAMAGES UNDER ANY AND ALL WARRANTIES ARE EXCLUDED TO THE EXTENT EXCLUSION IS PERMITTED BY LAW. Some states do not allow limitations on how long an implied warranty lasts, and some states do not allow the exclusion or limitation of incidental or consequential damages, so the above limitation and exclusion may not apply to you. This warranty gives you specific legal rights and you may also have other rights which vary from state to state."

Briggs & Stratton Corporation
F. P. Stratton, Jr.
Chairman and Chief Executive Officer

WARRANTY PERIOD

ENGINES	CONSUMER USE*	COMMERCIAL USE*
All 2 thru 18 hp engines installed on equipment other than lawn mowers, edgers, tillers, and all Sno Gard engines.	1 year - engine	1 year - engine
All 2 thru 18 hp engines installed on lawn mowers, edgers, tillers, and all Sno Gard engines.	2 year - engine*** 5 year - Magnetron® ignition***	1 year - engine
All Vanguard and I/C® engines	2 year - engine Lifetime** - Magnetron® ignition	2 year - engine Lifetime** - Magnetron® ignition

* For purposes of this warranty policy, "consumer use" shall mean personal residential household use by the original retail consumer. "Commercial use" shall mean all other uses, including use for commercial, income producing or rental purposes. Once an engine has experienced commercial use, it shall thereafter be considered as a commercial use engine for purposes of this warranty policy.

** Lifetime limited warranty of the Magnetron® ignition shall cover parts and labor for the first five (5) years from the date of purchase; thereafter only parts. "Lifetime" shall mean lifetime of the engine in the hands of the original purchaser.

*** Applies to equipment retailed in the U.S.A. and Canada. In all other countries, the warranty for CONSUMER USE is the same as COMMERCIAL USE.

NO REGISTRATION (WARRANTY) CARD IS NECESSARY TO OBTAIN WARRANTY ON BRIGGS & STRATTON ENGINES. SAVE YOUR PURCHASE RECEIPT. PROOF OF PURCHASE DATE WILL BE REQUIRED TO OBTAIN WARRANTY.

BRIGGS & STRATTON ENGINES ARE MADE UNDER ONE OR MORE OF THE FOLLOWING PATENTS:										DESIGN
2,999,491	3,305,223	3,526,146	3,625,492	3,745,393	3,971,353	4,233,043	3,194,224 ^d	3,457,804	3,572,218	D-247,177
3,650,354	3,961,724	4,188,288	4,270,509	3,276,439	3,465,740	3,625,071	3,738,345	3,968,854	4,189,040	OTHER PATENTS PENDING